

H PARTS LIST

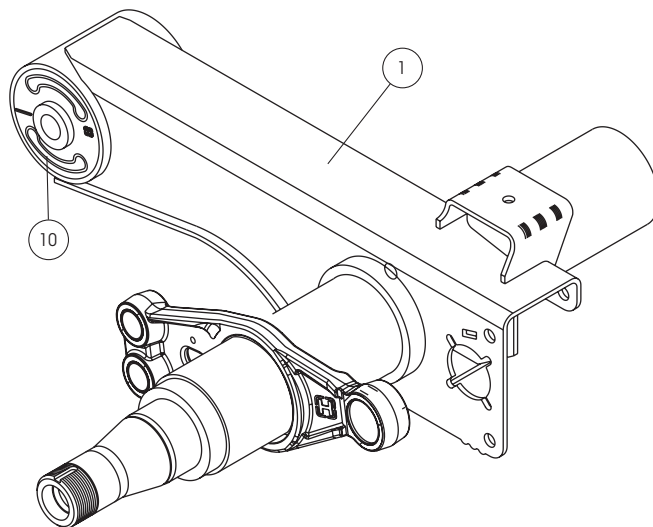
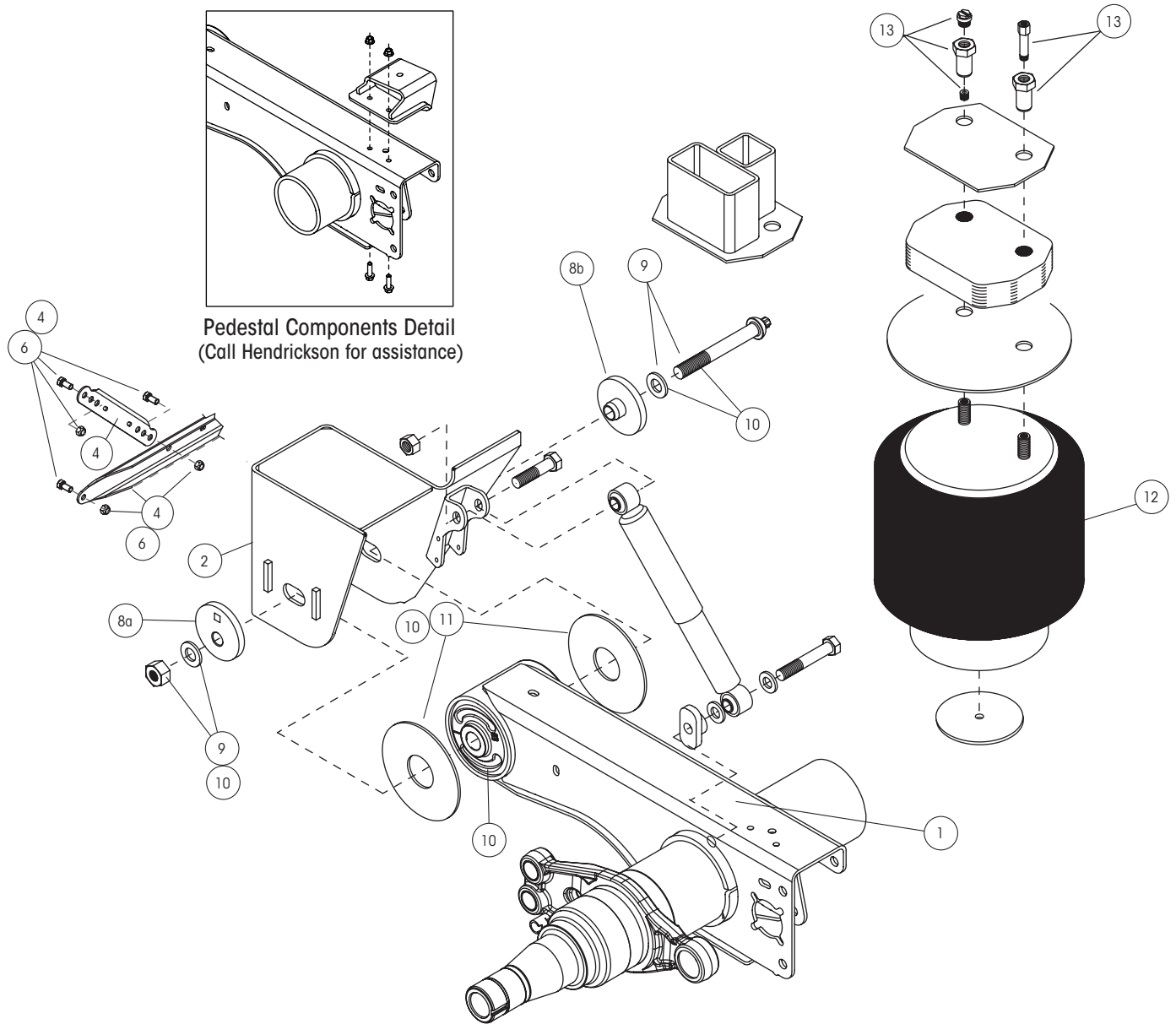
INTRAAAX[®] AAT —
23K, 25K, 30K

LIT NO: L405

DATE: July 2014

REVISION: K







INTRAAX® AAT — 23K, 25K, 30K PARTS LIST

ITEM	DESCRIPTION	PART NO.	PER AXLE	NOTE
1	AXLE/BEAM WELDMENT	HTRAAX.XX		Contact Hendrickson for assistance
2	FRAME BRACKET¹			Contact Hendrickson for assistance
3	FRAME BRACKET CHANNEL WELD-ON (Not Shown)			
	Axle track of 71.5" to 77.5"	A-1631-19	1	13.5" to 19" ride heights
	Axle track of 83.5" to 85"	A-1621-35	1	13.5" to 19" ride heights
4	BOLT-ON C-CHANNEL²			
	71.5" track	S-31901-3C		Black primer; includes c-channel, (2) struts and bolt kit
	77.5" track	S-31901-1C		Black primer; includes c-channel, (2) struts and bolt kit
5	FRAME BRACKET BRACE (Not Shown)	B-2347-7		16" – 17" ride heights
6	STRUT BOLT KIT			
		S-31901-C		Black primer; includes (2) struts and bolt kit
		S-31901-GV		Galvanized; includes (2) struts and bolt kit
7	FRAME BRACKET GUSSET (Not Shown)	S-27330	2	13.5" to 19" ride heights
8	ALIGNMENT COLLARS			
	8a Eccentric alignment collar (outer)	S-20925	2	Pivot hole is offset from the center of collar
	8b Concentric alignment collar (inner)	S-20924	2	Pivot hole is in center of collar
9	QUIK-ALIGN® PIVOT BOLT KIT³			
	Pivot bolt kit	S-24679	2	Includes 10" shear-type bolt, nut and washers
	Pivot bolt kit w/bushing tube spacers	S-26369	2	Includes 10" shear-type bolt, nut and washers
	Pivot bolt kit w/alignment collars	S-24680	2	Includes 10" shear-type bolt, nut and washers
10	TRI-FUNCTIONAL® BUSHING KIT^{3,4,5}			
	Standard	S-24691	2	Includes bushing, pivot bolt kit (Item 9), bushing tube spacers and lube
	Pivot bushing kit w/alignment collars	S-28654	1	Includes (2) bushings, (2) pivot bolt kits, bushing tube spacers and lube
11	BUSHING TUBE SPACERS			
	Standard	S-21099	4	(4) required per axle
12	AIR SPRING			
	AAT 23K models	S-21800	2	13.5" to 19" ride heights
	AAT 25K models	S-20901	2	13.5" to 19" ride heights
	AAT 30K models	S-25873	2	13.5" to 19" ride heights
13	AIR SPRING MOUNTING KITS^{4,6}			One per air spring; Includes air fittings, hex flange nuts, plugs and extension nuts
	5" and LDA™ Large-Diameter Axle			
	13.5", 14", 15" ride heights	S-22619/2	2	
	16" and 18" ride heights	S-22630/2	2	
	17" ride height	S-22619/2	2	
	19" ride height	S-22631/2	2	
14	AIR SPRING SPACER ASSEMBLY (Not Shown)			Contact Hendrickson for assistance

1. Other options exist based on frame attachment, frame bracket style bolt hole pattern and connection. Contact Hendrickson for assistance.

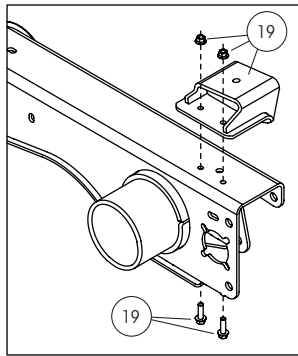
2. Struts are only optional for bolt-on frame brackets. Other options exist for galvanized or different track widths.

3. Best installed with Hendrickson's E-20 socket S-24536 (1-inch drive) or S-24303 (3/4-inch drive)

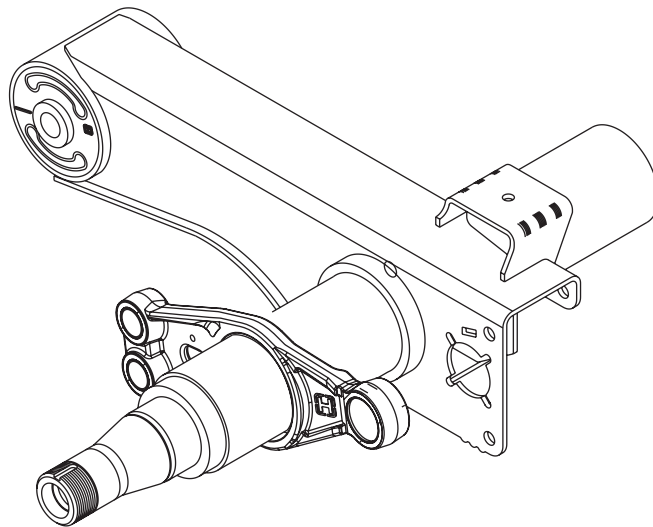
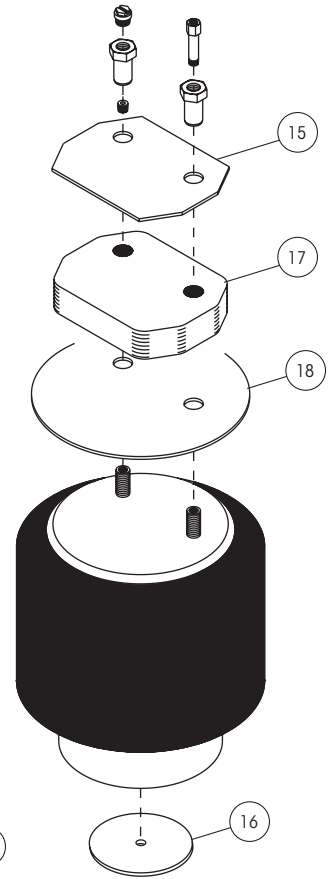
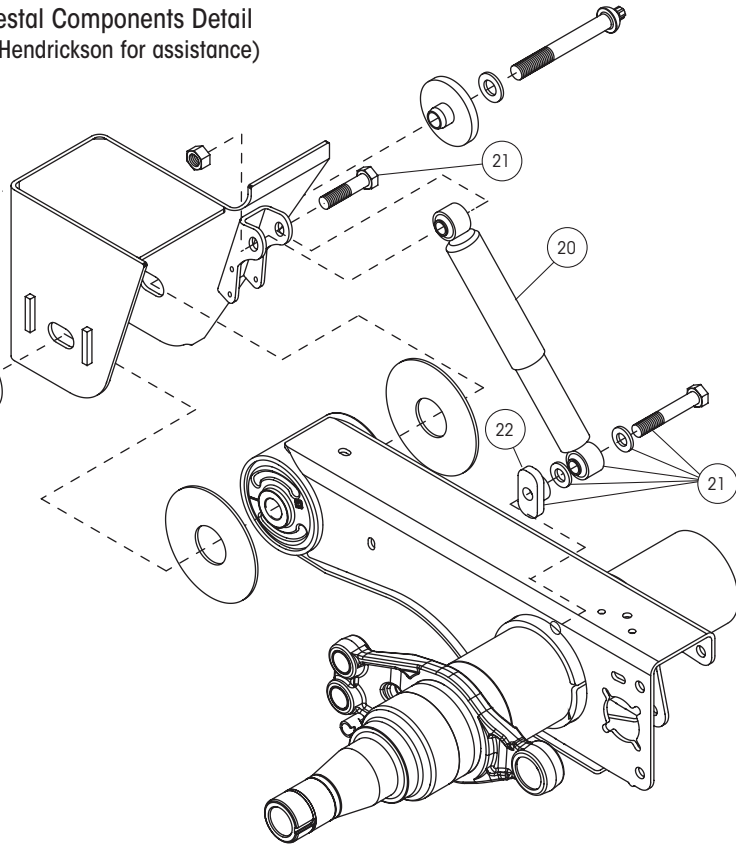
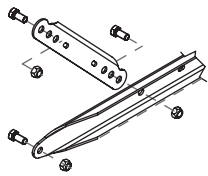
4. Picture may not resemble all models.

5. Bushing tool, S-21307 is required to correctly rebush the suspension.

6. Kits listed are for units with standard travel, standard air spring hardware and standard air spring mounting plate. Components may vary for limited rebound, limited jounce, thick frame or steel spacer models.



Pedestal Components Detail
(Call Hendrickson for assistance)





INTRAAX® AAT — 23K, 25K, 30K PARTS LIST

ITEM	DESCRIPTION	PART NO.	PER AXLE	NOTE	
15	AIR SPRING MOUNTING PLATE				
	Weld-on	S-20905	2	12" – 19" ride heights; standard air spring mounting plate	
	Bolt-on ⁷		B-21145	2	13.5" – 19" ride heights; standard air spring mounting plate
			B-21715	2	13.5" – 19" ride heights; pattern 1 air spring mounting plate
			B-22390	2	13.5" – 19" ride heights; pattern 2 air spring mounting plate
			B-27264	2	13.5" to 19" ride heights; pattern 3 air spring mounting plate
16	AIR SPRING BOTTOM DISK (5" axle)	S-21786			
17	AIR SPRING SPACER (Plastic)⁸			Not required for units with LDA™	
	5" axle				
	1 ¹ / ₈ " Thick spacer	B-22510-1	2	15" ride height	
	1 ⁷ / ₈ " Thick spacer	B-22510-2	2	16" ride height	
	3 ¹ / ₈ " Thick spacer	B-22510-3	2	17" ride height	
	LDA™ Large-Diameter Axle				
	3/4" Thick spacer	B-22510-4	2	16" and 18" ride heights	
	1 ⁷ / ₈ " Thick spacer	B-22510-2	2	19" ride height	
18	AIR SPRING FLEX PLATE (30K MODELS ONLY) (5" axle)	B-23294			
19	PEDESTAL KITS				
	5" axle (Weld-on)				
	Roadside	S-22297-1		All ride heights	
	Curbside	S-22297-2		All ride heights	
	LDA Large-Diameter Axle (Bolt-on)				
	13.5" and 14" ride heights	S-32164-1		Includes left and right pedestals and mounting hardware	
	15" and 16" ride heights	S-32164-2		Same as above	
17", 18" and 19" ride heights	S-32164-3		Same as above		
20	SHOCK ABSORBER				
	Standard duty	S-23566	2	For use on 23K and 25K models	
	Limited rebound	S-23361	2	For use on 23K and 25K models	
	Extended service with high dampening	S-24023	2	For use on all 30K models some 23K and 25K models	
21	SHOCK ABSORBER BOLT KIT³			One (1) required per shock	
	23K and 25K models shipped before 8/11/95	S-20896/2	2		
	23K and 25K models shipped after 8/11/95	S-24021	2		
	30K front mounted shock	S-24021	2		
	30K rear mounted shock	S-20031/2	2		
22	SHOCK SPACER	S-27196	2		

7. Please see INTRAAX® Bolt-on Mounting Drawing, D-26651, for assistance in pattern selection. This drawing can be found in the literature section of the Hendrickson website (www.hendrickson-infl.com).

8. Standard options listed. Other options exist. Please contact Hendrickson for assistance.

Call your trailer dealer or Hendrickson at **330.489.0045** or **866.RIDEAIR (743.3247)** for additional information.



www.hendrickson-intl.com

TRAILER COMMERCIAL VEHICLE SYSTEMS

2070 Industrial Place SE
Canton, OH 44707-2641 USA
866.RIDEAIR (743.3247)
330.489.0045 • Fax 800.696.4416

Hendrickson Canada

250 Chrysler Drive, Unit #3
Brampton, ON Canada L6S 6B6
800.668.5360
905.789.1030 • Fax 905.789.1033

Hendrickson Mexicana

Circuito El Marqués Sur #29
Parque Industrial El Marqués
Pob. El Colorado, Municipio El Marqués,
Querétaro, México C.P. 76246
+52 (442) 296.3600 • Fax +52 (442) 296.3601